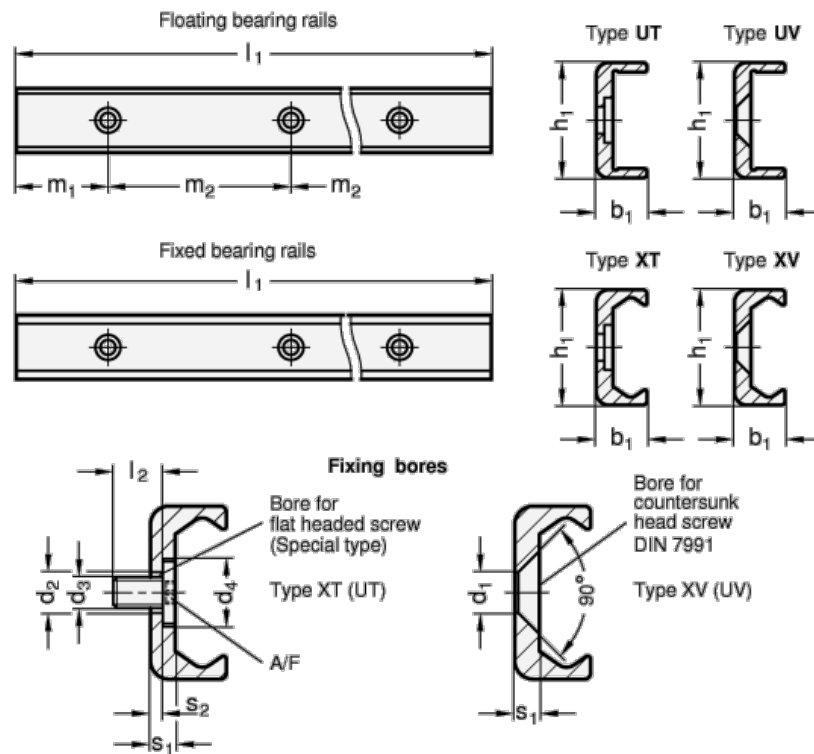


Article number: 20242243152040UV

Description: E+G Compact Profile GN 2422-43-1520-40

Measures



A/F =	L2 =
b1 = 21	m1 = 40
d1 = 8.5	m2 = 80
d2 =	s1 = 4.5
d3 =	s2 =
d4 =	Weight in (g) = 3815
h1 = 43	
L1 = 1520	